

ELMO

VISUAL PRESENTER

OX-1

INSTRUCTION MANUAL



IMPORTANT SAFEGUARDS

■ Read Instructions

All the safety and operating instructions should be read before the appliance is operated.

■ Retain Instructions

The safety and operating instructions should be retained for future reference.

■ Heed Warnings

All warnings on the product and in the operating instructions should be adhered to.

■ Follow Instructions

All operating and use instructions should be followed.

■ Cleaning

Unplug this product from the wall outlet before cleaning. Do not use liquid cleaners or aerosol cleaners.

Use a damp cloth for cleaning.

■ Attachments

Do not use attachments not recommended by the product manufacturer as they may cause hazards.

■ Water and Moisture

Do not use this product near water -for example, near a bath tub, wash bowl, kitchen sink, or laundry tub, in a wet basement, or near a swimming pool, and the like.

■ Placement

Do not place this product on an unstable cart, stand, tripod, bracket, or table. The product may fall, causing serious injury to a child or adult, and serious damage to the product. Use only with a cart, stand, tripod, bracket, or table recommended by the manufacturer, or sold with the product. Any mounting of the product should follow the manufacturer's instructions, and should use a mounting accessory recommended by the manufacturer.

■ Lightning

For added protection for this product during a lightning storm, or when it is left unattended and unused for long periods of time, disconnect the USBcable. This will prevent damage to the product due to lightning and power-line surges.

■ A product and cart combination should be moved with care.

Quick stops, excessive force, and uneven surfaces may cause the product and cart combination to overturn.



■ Object and Liquid Entry

Never push objects of any kind into this product through openings as they may touch dangerous voltage points or short-out parts that could result in a fire or electric shock. Never spill liquid of any kind on the product.

■ Servicing

Do not attempt to service this product yourself as opening or removing covers may expose you to dangerous voltage or other hazards. Refer all servicing to qualified service personnel.

■ Damage Requiring Service

Unplug the USBcable and refer servicing to qualified service personnel under the following conditions:

- If liquid has been spilled, or objects have fallen into the product.
- If the product has been exposed to rain or water.

- If the product does not operate normally by following the operating instructions. Adjust only those controls that are covered by the operating instructions as an improper adjustment of other controls may result in damage and will often require extensive work by a qualified technician to restore the product to its normal operation.
- If the product has been dropped or damaged in any way.
- When the product exhibits a distinct change in performance -this indicates a need for service.

■ Replacement Parts

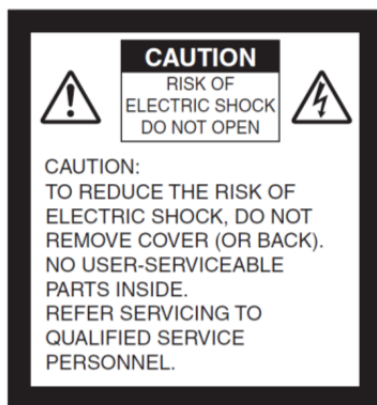
When replacement parts are required, be sure the service technician has used replacement parts specified by the manufacturer or have the same characteristics as the original part. Unauthorized substitutions may result in fire, electric shock or other hazards.

■ Safety Check

Upon completion of any service or repairs to this product, ask the service technician to perform safety checks to determine that the product is in proper operating condition.

■ Heat

The product should be situated away from heat sources such as radiators, heat registers, stoves, or other products (including amplifiers) that produce heat.



SA 1965

The lightning flash with arrowhead symbol, within an equilateral triangle, is intended to alert the user to the presence of uninsulated “dangerous voltage” within the product’s enclosure that may be of sufficient magnitude to constitute a risk of electric shock to persons.



SA 1966

The exclamation point within an equilateral triangle is intended to alert the user to the presence of important operating and maintenance (servicing) instructions in the literature accompanying the product.



This symbol [crossed-out wheeled bin WEEE Annex IV] indicates separate collection of waste electrical and electronic equipment in the EU countries.
Please do not throw the equipment into the domestic refuse.
Please use the return and collection systems available in your country for the disposal of this product.

WARNING

TO REDUCE THE RISK OF FIRE OR ELECTRIC SHOCK, DO NOT EXPOSE THIS PRODUCT TO RAIN OR MOISTURE.

The connection of a non-shielded equipment interface cable to this equipment will invalidate the FCC Certification or Declaration of this device and may cause interference levels which exceed the limits established by the FCC for this equipment. It is the responsibility of the user to obtain and use a shielded equipment interface cable with this device. If this equipment has more than one interface connector, do not leave cables connected to unused interfaces. Changes or modifications not expressly approved by the manufacturer could void the user's authority to operate the equipment.

FOR UNITED STATES USERS: INFORMATION

This equipment has been tested and found to comply with the limits for a Class A digital device, pursuant to Part 15 of the FCC Rules. These limits are designed to provide reasonable protection against harmful interference when the equipment is operated in a commercial environment.

This equipment generates, uses, and can radiate radio frequency energy and, if not installed and used in accordance with the instruction manual, may cause harmful interference to radio communications. Operation of this equipment in a residential area is likely to cause harmful interference in which case the user will be required to correct the interference at his own expense.

USER-INSTALLER

CAUTION:

Your authority to operate this FCC verified equipment could be voided if you make changes or modifications not expressly approved by the party responsible for compliance to Part 15 of the FCC rules.

USAGE PRECAUTIONS

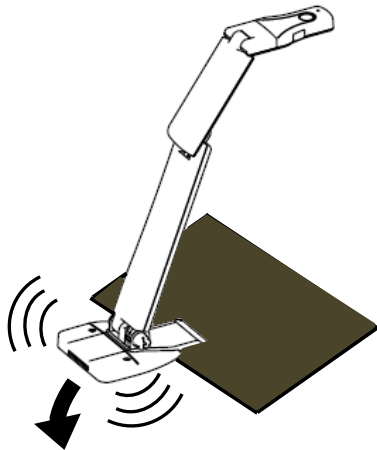
- Be sure to use the supplied USB cable.
- The supplied USB cable is designed for exclusive use with this product. Do not use it with other products.
- Be careful not to pinch your finger when you move the arm.
- When storing the product, do not leave it under direct sunlight or by heaters. It may be discolored, deformed, or damaged.
- Do not place the product in any humid, dusty, salt bearing wind, or vibrating locations.
- Use it under the following environmental conditions:
Temperature : 0°C~40°C Humidity : 30%~85%(No condensation)
- Use a soft, dry cloth for cleaning. Do not use any volatile solvent such as thinner or benzene.
- Luminescent and Black Spots
There may be some pixels that do not properly operate due to the use of CMOS Area Image Sensors made-up of many pixels.
Though luminescent or black spots may be found on the screen, it is a phenomenon peculiar to the CMOS Area Image Sensors and is not a malfunction.
- Follow the guidelines below to prevent the product from dropping or overturning.
 - Use the product on a stable base, desk, or table. Do not place the product on an unstable base or slanted location.
 - Place or wire the product so as to prevent the cables from being pulled or drawn.
- Do not point the lens directly to the sun. It could degrade the imaging capability.
- Do not look directly into the LED light. If you look directly into it at pointblank range, your eyes may be injured.
- ELMO is not liable for any damage caused by the loss or damage of the data transferred to a computer by using the USB cable and recorded by using a capturing software.
- If the product is used for longer than the warranty period, its performance and quality may deteriorate due to the lifetime of its parts. For parts replacement (on chargeable basis), consult the dealer from whom you purchased this product or contact us from the following website:
<https://www.elmousa.com> <https://www.elmoeurope.com>
- Copyright
Unless used for personal use, it is prohibited strictly under copyright law to use any photo files without the prior consent of the copyright holder. Even if using for personal use, be careful that there could be a situation where video or audio recording is restricted or illegal.
- The contents of this document are subject to change without notice. The latest version is available from the following official websites:
<https://www.elmousa.com> <https://www.elmoeurope.com>
- It is prohibited under copyright law to use or copy any part or the whole of this document without our prior written consent.
- ELMO shall not be liable for any claim for damage or loss of earnings or any claim raised by a third person due to the use, malfunction or repair of the product.

HANDLING PRECAUTIONS

The followings are special precautions against mishandling of the product.
Pay close attention to them.

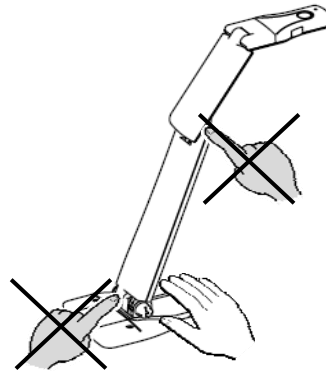
① Installation

Do not place the product on an unstable place.



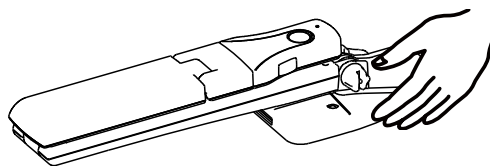
② Setting up

When setting up the product, hold the body around the operating panel.
Be careful not to pinch your fingers.



③ Carrying the product

Carry the product by folding the arm so as not to damage the camera.
Do not carry by holding the arm or camera head.



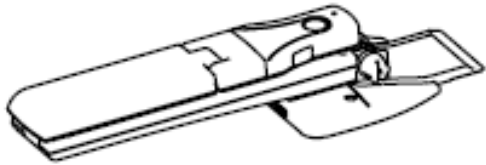
■ TABLE OF CONTENTS

IMPORTANT SAFEGUARDS	2
USAGE PRECAUTIONS	5
HANDLING PRECAUTIONS	6
■ TABLE OF CONTENTS	7
① PREPARATION	8
◆ PACKAGE CONTENTS	8
② BASIC OPERATIONS	9
◆ THE NAME OF EACH PART	9
■ OPERATING BUTTONS	10
◆ RESOLUTION / FRAME RATE	10
③ PREPARATION AND CONNECTION	11
◆ SETTING UP	11
◆ CONNECTING TO A COMPUTER	12
◆ TURNING ON OR OFF THE POWER	13
◆ USING IMAGE MATE +C	13
④ USING THE PRODUCT	14
◆ ADJUSTING THE FOCUS	14
◆ TURNING THE LED LIGHTING ON/OFF	14
◆ SECURING THE PRODUCT	14
⑤ TROUBLE SHOOTING	15
◆ SYMPTOMS AND CONFIRMATION	15
⑥ SPECIFICATION	17
◆ MAIN CAMERA	17
◆ FUNCTIONAL SPECIFICATION	17
◆ ILLUMINATION DEVICE	18
◆ OTHER SPECIFICATIONS	18
■ TRADEMARKS AND LICENSES	19

1 PREPARATION

◆ PACKAGE CONTENTS

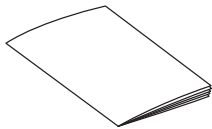
The items below are included with this product. If any item is missing, contact the dealer from whom you purchased this product.



OX-1



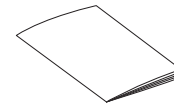
USB2.0 cable



Quick Start Guide



Warranty Card
(For Japan/ North
America only)



IMPORTANT
SAFEGUARDS

Note

About the Desk Clamp (sold separately)

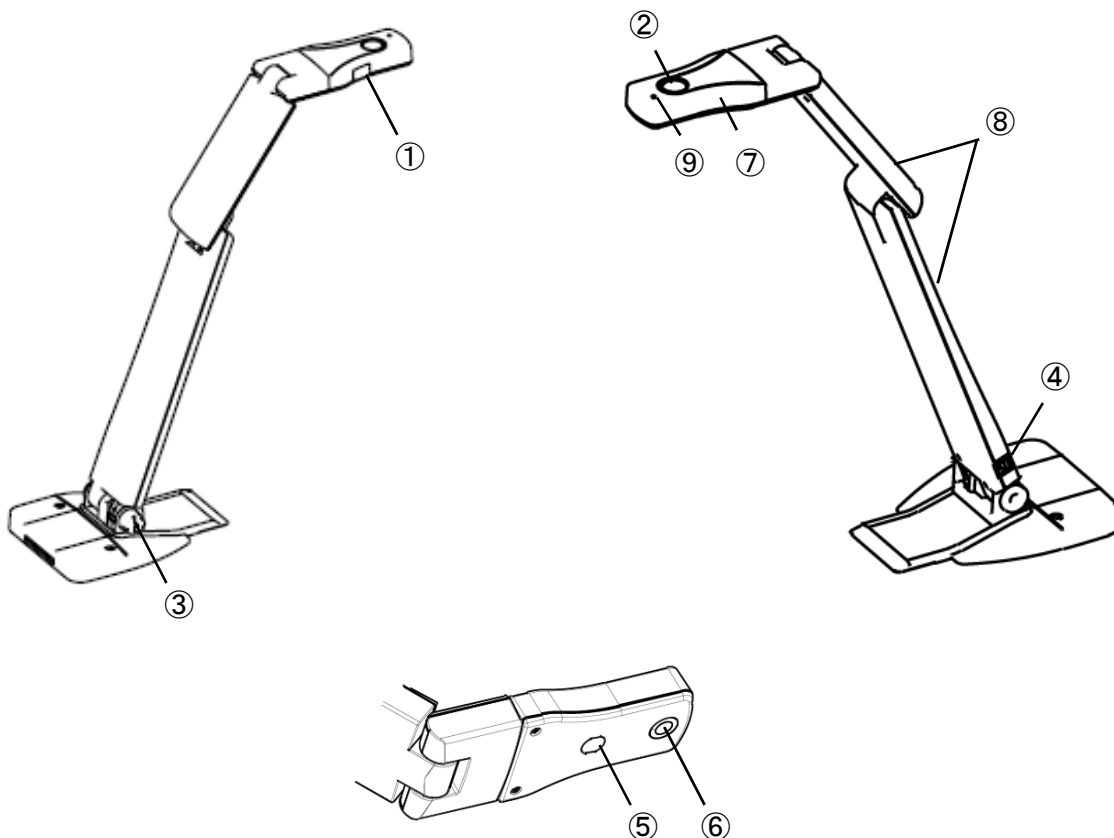
You can secure the product to a desk with the Desk Clamp. (⇒P.14)

CAUTION

- Do not wrap the USB2.0 cable tightly around the product. The cable could be damaged (disconnected) or the inside of the cable could be exposed and result in an accident. Do not bundle the USB cable when using the product.

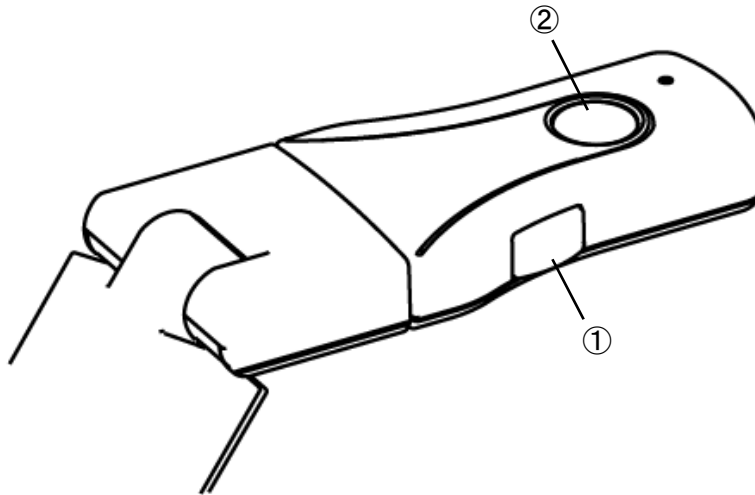
② BASIC OPERATIONS

◆ THE NAME OF EACH PART



	Name
①	AF button
②	LED lighting button
③	Adjustment screw
④	USB port
⑤	LED lighting
⑥	Camera lens
⑦	Camera head
⑧	Arm
⑨	Mic

■ OPERATING BUTTONS



	Name	Description
①	AF button	To focus automatically. (⇒P.14)
②	LED lighting button	To on or off the LED lighting. (⇒P.14)

◆ RESOLUTION / FRAME RATE

The following table shows the output resolution and frame rate.

	Aspect ratio	Resolution	MJPEG[fps]	YUY2[fps]	Output		Default value
					MJPEG	YUY2	
1	4 : 3	3264x2448	15	-	○	×	MJPEG 1280x720 ※1
2	4 : 3	2592x1944	15	-	○	×	
3	4 : 3	2048x1536	15	-	○	×	
4	16 : 9	1920x1080	15	5	○	○	
5	4 : 3	1600x1200	30	-	○	×	
6	16 : 9	1280x720	30	10	○	○	
7	4 : 3	1024x768	30	10	○	○	
8	4 : 3	800x600	30	20	○	○	
9	4 : 3	640x480	30	30	○	○	
10	16 : 9	3264x1840	15	-	○	×	
11	16 : 10	1920x1200	15	-	○	×	
12	16 : 10	1280x800	30	10	○	○	

※1 The default resolution for USB may vary depending on the application.

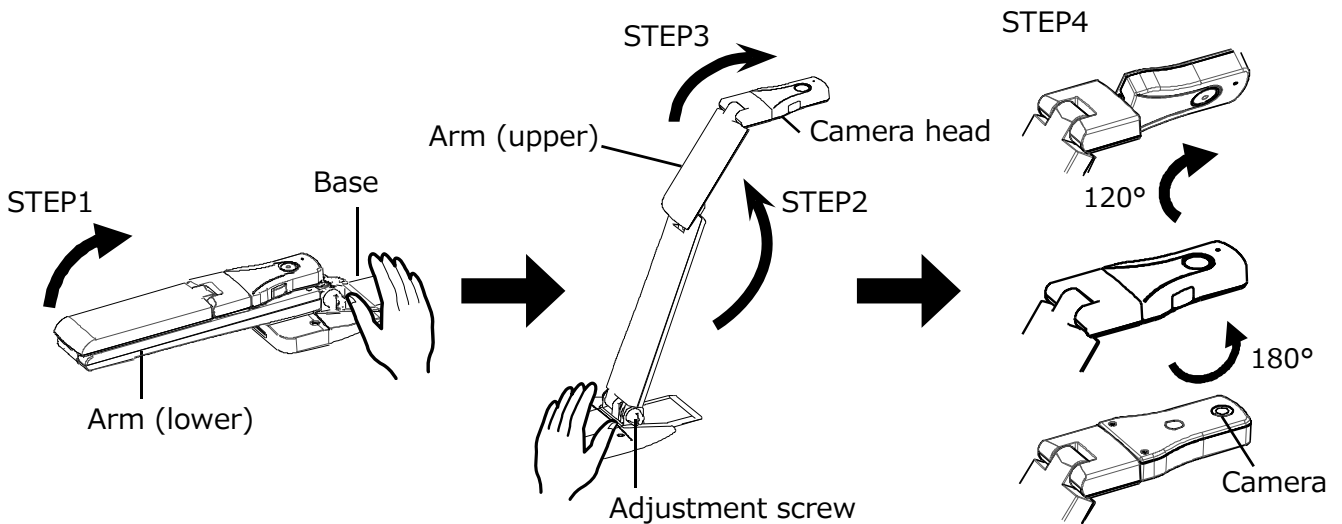
Note

- To obtain high-resolution image output, select the resolution (ex.1920x1080) with 15fps.
- Set the resolution to 1920x1080 when using an electronic whiteboard which supports 4K images.
- Some electronic whiteboards do not support 15fps. In that case, select the default resolution of 1280x720.

③ PREPARATION AND CONNECTION

◆ SETTING UP

- STEP1 Raise the camera head as indicated by an arrow while holding the base.
STEP2 Raise the upper arm as indicated by an arrow.
STEP3 Set the camera head horizontally.
STEP4 Rotate the camera head to adjust the shooting angle.

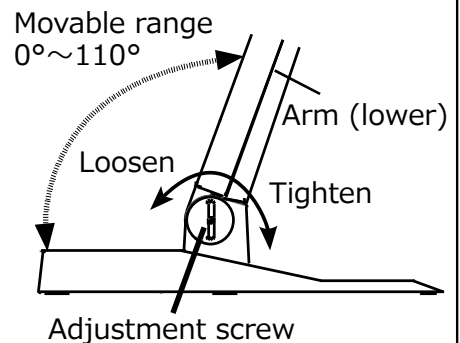


CAUTION

- Be careful not to pinch your fingers when moving the arm.
- Do not hold the arm or camera head when carrying the product.
- Be careful not to give an impact to the camera head.
- This product uses components prone to static electricity. To avoid malfunction due to static electricity, hold the end of the camera head when moving the camera head. Do not touch the rotating part.

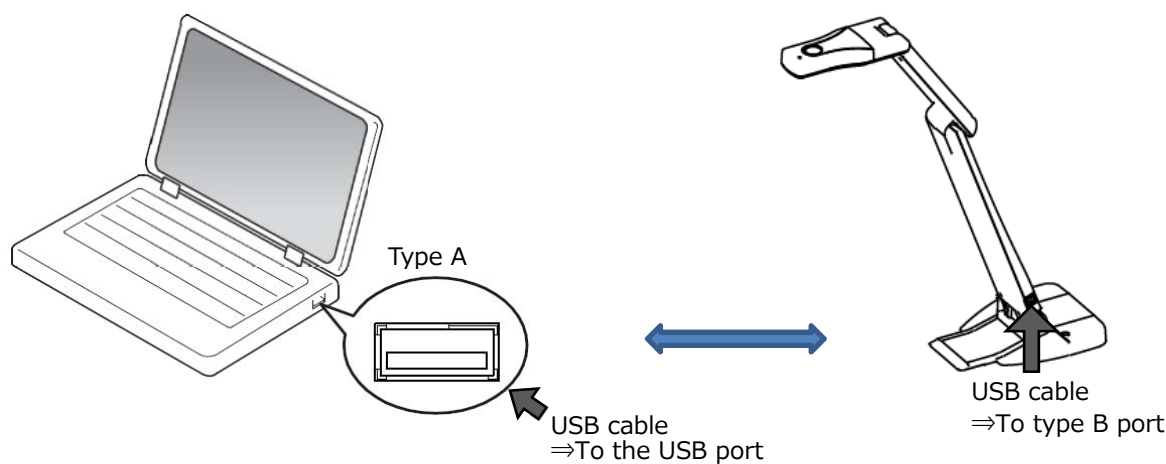
CAUTION


- Do not move or rotate the parts of the product beyond the movable angle. Otherwise the product may be damaged.
- When moving the arm (lower), loosen the adjustment screw. After moving the arm (lower) to the shooting position, tighten the adjustment screw.
- You cannot fix the arm completely by tightening the adjustment screw. Be sure not to tighten the screw too much.
- There is a stopper on the arm (lower). The stopper prevents the arm from moving over 110°. Be sure not to apply excessive strength on the arm.



◆CONNECTING TO A COMPUTER

The product is compliant to UVC (USB video class) standard. You can transfer the image via USB by connecting the product to a computer using the USB cable.



1. Connect the type B connector of the supplied USB2.0 cable to [] connector in the side of the product.
2. Connect the type A connector of the USB2.0 cable to the USB port of your running computer.
3. Launch the viewer on the connected computer.
※The product will not turn on until the viewer is launched.

About the viewer software

The image can be viewed by using the Elmo "Image Mate+C" or a free viewer software. Go to the following website when using the "Image Mate +C".

⇒<https://imagemate-c.com/>

※For details about the "Image Mate +C", visit the above website.

CAUTION

- If your computer does not meet the recommended requirements or depending on the performance of your computer, the recording frame rate may be decreased.
- Do not connect/disconnect the USB cable while operating the product . It may cause malfunction.
- We recommend using the standard USB2.0 cable.

◆TURNING ON OR OFF THE POWER

Power ON

After connecting the product to a computer with the USB2.0 cable, launch the viewer software and select the product. The product will turn on and the image will be displayed.

Power OFF

Turn off the product from the viewer software. Then remove the USB2.0 cable.

◆USING IMAGE MATE +C

You can transfer the image of the product to a computer by using “Image Mate +C”.

“Image Mate +C” runs on the web browser, so you don’t have to install it. Just access the following website to capture the image or control the product.

⇒<https://imagemate-c.com/>

The following functions (image annotation, still image capturing, recording and zooming) can be used.



Specifications of Image Mate +C

Document camera mode	Annotation / eraser / image capture / recording / 180° image rotation / pause / zoom
Whiteboard mode	Annotation / eraser / image capture / recording / zoom
Data transfer	Annotation / eraser / image capture / recording / 180° image rotation / pause / zoom
Supported OS	Windows10(32bit/64bit) Windows8(32bit/64bit) Windows7(32bit/64bit) macOS(High Sierra 10.13 or higher) Android(5.1.1 or higher) Chrome OS(66.0.3359.203 or higher)
Supported browser	Chrome(Version.67.0.3396.87 or higher)

4 USING THE PRODUCT

◆ ADJUSTING THE FOCUS

Press the AF button to automatically focus on the subject.

◆ TURNING THE LED LIGHTING ON/OFF

Press the LED lighting button to turn on the LED lighting.

Press this button again to turn off the LED lighting.

CAUTION

- To take shots of people, turn off the LED lighting.
- Make sure that the light from the LED lighting does not shine directly into your eyes.
- This product is equipped with a high-brightness LED. You can safely use it to light up the object. The brightness will gradually decrease with long-term use. This is not a malfunction but a characteristic of the LED.
- Do not touch the LED lighting while it is on as it may become very hot.

◆ SECURING THE PRODUCT

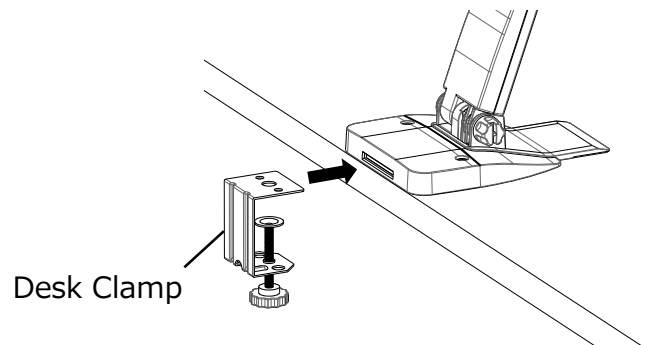
① Using the Desk Clamp (sold separately)

By using the Desk Clamp, you can secure the product to the installation surface.

For details, refer to the following website.

<https://www.elmoussa.com>

<https://www.elmoeeurope.com>



② Using through holes

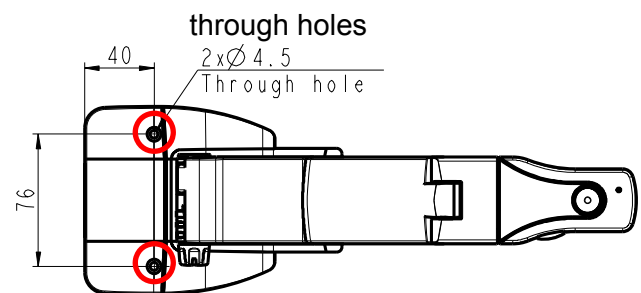
By using through holes ($\varnothing 4.5$) of the product, you can secure the product to the installation surface such as a desk.

Use a screw with nominal diameter 4. (screw head diameter: 6mm – 8mm).

Select a screw that is long enough to fix the product to the installation surface.

※ The distance from the screw attachment to the bottom of the product is 14mm.

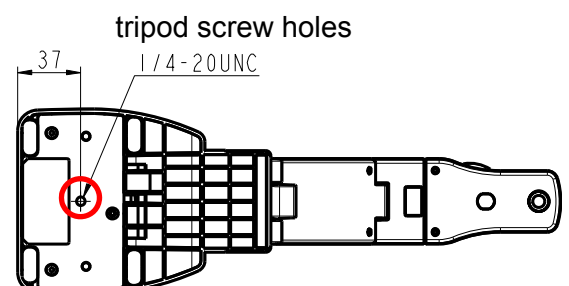
※ Screws are not included in the product.



③ Using a tripod screw

By using a tripod screw hole (1/4-20UNC) in the bottom of the product, you can secure the product to the installation surface.

※ Screws are not included in the product.



5 TROUBLE SHOOTING

◆ SYMPTOMS AND CONFIRMATION

Check the following items. If any abnormality is found, consult the dealer from whom you purchased this product or our nearest branch/office.

Symptom	Possible cause / remedy
Cannot turn on the product.	<ul style="list-style-type: none"> ▪ The power of the connected computer is not turned on. ▪ Sometimes the product does not show any indication of power on. Start the viewer software on the connected computer and check if the image is displayed. ▪ Reconnect the USB2.0 cable and restart the viewer software.
No image is displayed.	<ul style="list-style-type: none"> ▪ The USB2.0 cable is not correctly connected. ▪ The USB2.0 cable is disconnected from the USB port of the product. ▪ If you turn the power ON immediately after turning it OFF, the product may not start. Wait for several seconds after turning the power OFF, and then turn it back ON. ▪ The output setting does not match the cable connected to the product. Set the correct output setting. ▪ The viewer software is not started correctly. Restart the software and try to connect again.
The image is out of focus.	<ul style="list-style-type: none"> ▪ The document (object) is too close to the lens. Move the document (object) slightly away from the lens. ▪ Press the AF button to adjust the focus.
The image is too dark.	<ul style="list-style-type: none"> ▪ The intensity of the lighting is insufficient. Press the LED lighting button to turn on the LED lighting. ▪ The viewer software is not started. The LED lighting button is enabled only when the viewer software is running.
The image does not move.	<ul style="list-style-type: none"> ▪ Disconnect the USB2.0 cable and turn off the product. Then connect the USB2.0 cable and turn on the product.
The image is striped.	<ul style="list-style-type: none"> ▪ This may be interference fringes between dots of printed matter and TV scanning lines or CMOS pixels. Changing the shooting range may help the problem. ▪ If you shoot the live image on the monitor, the image may be distorted. ▪ The shooting environment is too dark. Adjusting the brightness may improve the problem.
The image is upside down.	<ul style="list-style-type: none"> ▪ Check that the graphics driver and other device drivers on your computer are updated. The latest device drivers are available from the computer manufacturer.
The displayed image contains images other than the camera image.	<ul style="list-style-type: none"> ▪ The software and OS you are using or the connection status may be causing images other than the camera image to breakthrough while displaying the camera image. This problem can be solved by reconnecting the product or restarting the software.

A software error message appears and the image is not displayed.	<ul style="list-style-type: none"> ▪ If it is taking too much time for the preparation of the image output, the software may determine this to be an error. Restart the product, reconnect it to the computer, and then start the software.
The image sometimes freezes.	<ul style="list-style-type: none"> ▪ The displayed image may pause for a brief second when the object moves quickly. In that case, adjusting the brightness manually may improve the problem.
There is a distortion of the image.	<ul style="list-style-type: none"> ▪ Use a high-spec computer. Also, reducing the resolution or frame rate may improve the distortion of the image.

About the light (LED lighting)

- The brightness of the LED lighting will diminish with long-term use. If its brightness has significantly diminished, consult the dealer from whom you purchased this product or our nearest branch/office for replacement (subject to charge).

About long-term usage of this product

- Due to the lifetime of its parts, if this product is used for longer than the warranty period, its performance and quality may deteriorate. In this case, we will replace the parts for a charge. Consult the dealer from whom you purchased this product or our nearest branch/office.

⑥ SPECIFICATION

◆ MAIN CAMERA

Item	Specifications
Power source	DC5V
Power consumption	2.5W
Outside dimensions	W:317mm D:108mm H:375mm(When setup)
	W:337mm D:108mm H:54mm(When folded)
Weight	Approx. 630g (Main body only)
USB device	USB2.0 TypeB × 1 Power supply : bus power
Lens	F=2.0
Frame rate	30fps (max)
Focus working range	From lens surface : 100mm ~ ∞
Focus	Auto (One-push)
Exposure	Auto
Image pick-up element	1/3.2 inch CMOS 8,000,000 pixels
Effective pixels	H:3280, V:2464
Resolution	H:1000TVlines or more V:1000TVlines or more
Shooting area	322mm×430mm (Height : 359mm) 4 : 3

◆ FUNCTIONAL SPECIFICATION

Item	Specifications	Operating button	IM+C	IM4	EIT
Brightness	Possible(Set value: -64 to 64, changes every 2 values) Default value: 0	-	-	✓	✓
Image rotation	0°/0°mirror/180°mirror/180° Default setting: 0° (The image rotation function is not available when the image freeze function is used.)	-	✓	✓	✓
LED lighting	ON/OFF Default setting : OFF	✓	-	-	-
AF (focus)	Manual (One-push)	✓	-	-	-
Zoom	Possible with Image Mate +C/Image Mate 4(IM4)	-	✓	✓	✓
Image pause	/ELMO Interactive Toolbox (EIT)	-	✓	✓	✓
Resolution	Possible to change ※1	-	-	✓	✓
Flicker	60Hz / 50Hz(Default setting : 60Hz)	-	-	✓	✓
Contrast	Possible (Set value 0~100) Default value: 32	-	-	✓	✓
Hue	Possible (Set value -180~180) Default value : 0	-	-	✓	✓
Saturation	Possible (Set value 0~100) Default value : 64	-	-	✓	✓
Gamma	Possible (Set value 100~500) Default value : 300	-	-	✓	✓
White balance	Auto/manual (Set value 2800~6500) Default setting : Auto	-	-	✓	✓
Backlight compensation	ON/OFF Default setting : OFF	-	-	✓	✓

Exposure	Auto/manual (Manual : Set value -8~1) Default setting : Auto	-	-	✓	✓
Focus	Auto/manual Default setting: Manual	-	-	✓	✓
Low-light compensation	ON/OFF Default setting: OFF	-	-	✓	✓

※1 To obtain high-resolution image output, select the resolution (ex. 1920x1080) with 15fps.

Some electronic whiteboards do not support 15fps. In that case, select the default resolution of 1280x720.

※ Depending on the software viewer to use, some function cannot be configured.

◆ ILLUMINATION DEVICE

Item	Specifications
LED lighting	White LED

◆ OTHER SPECIFICATIONS

Item	Specifications
USB	USB 2.0 compliant
Transfer speed	USB2.0 High Speed (480Mbps) ※The actual transfer speed may vary depending on the performance of your computer and the status of the USB bus.
Audio	Built-in microphone Omni directional, sensitivity -23~-29dBFS Frequency characteristics 100Hz~15kHz
Operating temperature	0°C~+40°C
Humidity	30%~85% (No condensation)

■ TRADEMARKS AND LICENSES

ELMO and Image Mate are registered trademarks of ELMO Co., Ltd.

HDMI and High-Definition Multimedia interface are trademarks or registered trademarks of HDMI Licensing LLC.

Windows, or names of other Microsoft products are trademarks or registered trademarks of Microsoft Corporation in the United States and other countries.

Google, Google Chrome and Android are registered trademarks of Google Inc.

Mac OS is a registered trademark of Apple Inc. in the United States and other countries.

All other company/product names described in this manual are trademarks or registered trademarks of their respective companies.

This product is licensed under the AVC Visual Patent Portfolio License (AVC Video) for the personal and non-commercial use of a consumer to (i) play AVC Video that was recorded by a consumer engaged in a personal and a non-commercial activity and/or, (ii) play AVC Video that was obtained from a video provider licensed from MPEG-LA, LLC. Additional information including that relating to promotional and commercial uses may be obtained from MPEG-LA, LLC.

ATTENTION

- Unless used for personal use, it is prohibited by copyright law to record slides, books and photos without the prior consent of copyright holder.
- This product is designed to be used in industrial environment. If it is used in a residential area or in an adjacent area thereto, harmful interference to radio or television reception may occur.
- Repair parts
We do not keep any repair parts for this product. The available after-sale service is to swap the defective unit with another unit. This after-sale service is available for 2 years after the product discontinuation.
- Any image, which is obtained by this product, and which can be identified, is considered to be private information. Be forewarned that the person who makes use of such images shall be liable for disclosing of such images.

株式会社エルモ社

〒457-0078

名古屋市南区塩屋町一丁目3番地4

Web : <https://www.elmo.co.jp>

製品のお問い合わせは、下記営業所へ

□ 東日本営業所

□ 札幌オフィス

〒001-0021 札幌市北区北21条西8丁目3番8号 バックスビル
TEL. 011-738-5811

□ 仙台オフィス

〒980-0802 仙台市青葉区二日町13番18号
スーパージュニアビル6階
TEL.022-266-3255

□ 首都圏営業所

〒108-0073 東京都港区三田3丁目12番16号 山光ビル4階
TEL.03-3453-6471

□ 中日本営業所

□ 名古屋オフィス

〒457-0078 名古屋市南区塩屋町一丁目3番地4
TEL.052-811-5261

□ 京都オフィス

〒604-8101 京都市中京区柳馬場御池下る柳八幡町65
京都朝日ビル10階
TEL.075-744-1360

□ 大阪オフィス

〒550-0002 大阪市西区江戸堀1丁目9番6号
肥後橋ユニオンビル10階
TEL.06-6443-6001

□ 神戸オフィス

〒550-0002 大阪市西区江戸堀1丁目9番6号
肥後橋ユニオンビル10階
TEL.06-6443-6001

□ 西日本営業所

□ 福岡オフィス

〒812-0039 福岡市博多区冷泉町2番8号 朝日プラザ祇園2階
TEL.092-281-4131

□ 広島オフィス

〒730-0012 広島県広島市中区上八丁堀4-1
アーバンビューグランドタワー1104号室
TEL.082-221-2801

□ 熊本オフィス

〒861-2104 熊本市東区秋津3丁目11-7
TEL.096-282-8338

OVERSEAS SUBSIDIARY COMPANIES

ELMO USA CORP.

□Headquarters
6851 Jericho Turnpike
Suite 145
Syosset, NY 11791
Tel. (516) 501-1400
Fax.(516) 501-0429
E-mail : elmo@elmousa.com
Web : <https://www.elmousa.com/>

ELMO Europe SAS

□Headquarters
12 place de la Défense
Maison de la Défense
92974 Paris la Défense Cedex FRANCE
Tel. +33 (0) 1 73 02 67 06
Fax. +33 (0) 1 73 02 67 10
E-mail : info@elmoeurope.com
Web : <https://www.elmoeurope.com/>

□German Branch

Hansaallee 201, Haus 1
40549 Düsseldorf Germany
Tel. +49 (0) 211 544756 40
Fax. +49 (0) 211 544756 60
E-mail : info@elmo-germany.de
Web : <https://www.elmo-germany.de/>

□Middle East Branch

5WA-129, Dubai Airport Free Zone,
P.O Box 371556, Dubai,
United Arab Emirates
Tel. +971-(0)4-260-2390
Fax. +971-(0)4-260-2392
Web : <https://www.elmoeurope.com>

ELMO CO., LTD.

1-3-4, Shioya-cho, Minami-ku
Nagoya, 457-0078, Japan